

## iA(intelligent Auto) H.265 PTZ Camera

Panasonic WV-S6530N captures the highest quality images automatically even in very challenging and fast-changing surveillance environments. Intelligent Auto (iA) monitors scene dynamics and motion to adjust key camera settings automatically in real-time reducing distortion such as motion blur on moving objects. New industry-leading 144dB dynamic range delivers balanced scene exposure in dynamic and extreme-backlit lighting environments. In addition, color night vision provides outstanding low-light performance with accurate color rendition and saturation from i-Pro's 1/3" sensor, rivaling the performance of costlier 1/2" sensor cameras in the market. Adopting H.265 Smart Coding technology, intelligently reduces bandwidth efficiency of up to 95%\* over H.264 for longer recording and less storage. Cameras out-of-the-box, support full data encryption streaming and is compliant to FIPS 140-2 Level 1 standards to keep your video secured. \*Value in Advanced mode. It depends on the scene.

### Extreme image quality for evidence capturing under challenging conditions

- Sharp and clear image of fast moving vehicles with Intelligent Auto and ClearSight Coating
- Outstanding low light performance in true color with low noise for night time applications
- Super Dynamic 144dB for backlit situation by headlights and shadows on the streets at night
- Environmental durability: IP66, IK10, Long life Pan/Tilt gear mechanism, Wide operating temperature up to 60 °C (140 °F) and electric dehumidifier

### Extreme H.265 compression with new Smart Coding

- Longer recording, less storage compared to H.264 based compression techniques
- New self-learning ROI\* encoding (Auto VIQS) dynamically detect motion areas to keep vehicles and human in good picture quality while lowering your bandwidth \* Region of Interest

### Extreme Data Security

- Full encryption SD card edge recording to keep your data safe
- FIPS 140-2 Level 1 compliant
- Full end-to-end system encryption with supported VMS and devices to protect from IP snooping/spoofing and detect data alteration

### Key Features

- Full-HD 1920x1080 60fps
  - ClearSight Coating
  - Durable Pan/Tilt gear mechanism
  - iA (intelligent Auto)
  - Extreme Super Dynamic 144dB
  - Color night vision (0.001 to 0.015 lx)
  - IP66, IK10 certified
  - Wider operating temperature range  
-40°C to +60°C (-40°F to +140°F)
- \*When using 24 V AC power supply

### Applications

- Safe City
- Parking lot
- Logistics
- Building



## Specifications

<b>Camera</b>	Image Sensor	Approx. 1/2.9 Type MOS image sensor	
	Minimum Illumination	Color : 0.015 lx, BW : 0.006 lx (F1.6, Maximum shutter : Off (1/30s), AGC : 11) Color : 0.001 lx, BW : 0.0004 lx (F1.6, Maximum shutter : Max. 16/30s, AGC : 11) <sup>11</sup>	
	Intelligent Auto	On / Off	
	Shutter Speed	1/30 Fix to 1/10000 Fix *1/30 Fix to 2/120 Fix is available during 30 fps mode only. *1/60 Fix is available during 60 fps mode only.	
	Super Dynamic <sup>2</sup>	On / Off, the level can be set in the range of 0 to 31.	
	Dynamic Range	144 dB (Super Dynamic : On)	
	Image Settings	Gain (AGC), White balance	
	Image Compensation	Adaptive black stretch, Back light compensation (BLC), Fog compensation, High light compensation (HLC), Digital noise reduction	
	Color/BW (ICR)	Off / On / Auto1 (Normal) / Auto2 (IR Light) / Auto3 (SCC)	
	Video Motion Detection(VMD)	On / Off, 4 areas available	
	Intelligent VMD (i-VMD) <sup>3</sup>	Type 4 *optional plug-in software WV-SAE200	
	Stabilizer <sup>3</sup>	On / Off (available only in the 30 fps mode)	
	Privacy Zone	Filling / Pixelate / Off (up to 32 zones available)	
	Camera Title (OSD)	On / Off up to 20 characters (alphanumeric characters, marks)	
	Zoom Ratio	21x Optical, 31x with HD Extra Optical Zoom(Resolution 1280x720)	
	<b>Lens</b>	Digital (electronic) zoom	16x
		Focal length	4.0 mm – 84.6 mm [5/32 inches – 3-11/32 inches]
		Maximum Aperture Ratio	1 : 1.6 (WIDE) – 1 : 4.5 (TELE)
Focus range		1.5 m (4ft 11-1/16 inches) – ∞	
Angular Field of view		[16 : 9 mode] Horizontal : 3.4 ° (TELE) – 73 ° (WIDE) Vertical : 2.0 ° (TELE) – 42 ° (WIDE) [4 : 3 mode] Horizontal : 2.9 ° (TELE) – 61 ° (WIDE) Vertical : 2.2 ° (TELE) – 46 ° (WIDE)	
<b>Pan/tilt</b>		Panning Range	0° – 350°
		Panning Speed	Manual : Approx. 0.5 °/s - 100 °/s Preset : Up to approx. 300°/s
		Tilting Range	Operational range : -30 ° – 90 ° (level – downward) Recommended range <sup>4</sup> : 0 ° – 90 ° Selectable tilting angle : 10 °/5 °/3 °/0 °/5 °/ -3 °/5 °/ -5 °/5 °/ -10 °/5 °/ -15 °/5 °/ -20 °/5 °/ -25 °/5 °/ -30 °/5 °
		Tilting Speed	Manual : Approx. 0.5 °/s - 100 °/s Preset : Up to approx. 100°/s
		Preset Positions	256 positions
	Auto Mode	Auto track <sup>3</sup> / Auto pan/ Preset sequence/ Patrol	
	Self Return	10 s/ 20 s/ 30 s/ 1 min/ 2 min/ 3 min/ 5 min/ 10 min/ 20 min/ 30 min/ 60 min	
	<b>Browser GUI</b>	Camera Control	Pan/Tilt, Zoom, Focus, Auto mode, Brightness, Preset, AUX, Rec. on SD, Log, Viewer software
		Audio	Mic (Line) Input : On / Off Volume adjustment : Low / Middle / High Audio Output : On / Off Volume adjustment : Low / Middle / High
		GUI / Setup Menu Language	English, Italian, French, German, Spanish, Portuguese, Russian, Chinese, Japanese
<b>Network</b>	Network IF	10Base-T / 100Base-TX, RJ45 connector	
	Resolution	<b>*2 mega pixel [16 : 9] (30/60 fps)</b> 1920x1080, 1280x720, 640x360, 320x180	
	H.265/ H.264 JPEG (MJPEG)	<b>*3 mega pixel [4 : 3] (30 fps)</b> 2048x1536*, 1280x960, 800x600, VGA, 400x300, QVGA *Used by super resolution techniques	
	H.265/ H.264 <sup>6</sup>	Transmission Mode Constant bit rate / VBR / Frame rate / Best effort	
	Transmission Type	Unicast / Multicast	
	JPEG	Image Quality 10 steps	

<sup>1</sup> Converted value

<sup>2</sup> Super Dynamic function is automatically set off on 60 fps mode.

<sup>3</sup> Stabilizer, Auto track, Smart Facial Coding, i-VMD, can not be used at the same time.

<sup>4</sup> The recommended range is a guide for the range of angles at which images can be completely viewed.

If the camera is tilted to an angle higher than in this range, parts of the image may not be able to be viewed.

<b>Network</b>	Smart Coding	Smart Facial Coding <sup>3</sup> : On(Smart Facial Coding)/ On(AUTO VIQS)/ Off * Smart Facial Coding is only available with Stream(1). GOP(Group of pictures) control : On(Advanced)/ On(Low)/ On(Mid)/ Off * On(Advanced) is only available with H.265.	
	Audio Compression	G.726 (ADPCM) : 16 kbps / 32 kbps, G.711 : 64 kbps, AAC-LC <sup>7</sup> : 64 kbps / 96 kbps / 128 kbps	
	Audio transmission mode	Off / Mic (Line) input / Audio output / Interactive (Half duplex) / Interactive (Full duplex)	
	Supported Protocol	IPv6 : TCP/IP, UDP/IP, HTTP, HTTPS, RTP, FTP, SMTP, DNS, NTP, SNMP, DHCPv6, MLD, ICMP, ARP, IEEE 802.1X, DiffServ IPv4 : TCP/IP, UDP/IP, HTTP, HTTPS, RTSP, RTP, RTP/RTCP, FTP, SMTP, DHCP, DNS, DDNS, NTP, SNMP, UPnP, IGMP, ICMP, ARP, IEEE 802.1X, DiffServ	
	Maximum concurrent access number	Up to 14 users (Depends on network conditions)	
	SDXC/SDHC/SD	H.265 / H.264 recording : Manual REC / Alarm REC (Pre/Post) / Schedule REC / Backup upon network failure JPEG recording : Manual REC / Alarm REC (Pre/Post) / Backup upon network failure	
	Memory Card (Option)	Compatible SDXC/SDHC/SD memory card : Panasonic 2 GB, 4 GB*, 8 GB*, 16 GB*, 32 GB*, 64 GB**, 128 GB** 256 GB** model *SDHC card, **SDXC card (except miniSD card and microSD card)	
	Mobile Terminal Compatibility	iPad / iPhone, Android™ mobile terminals	
	<b>Alarm</b>	Alarm Source	3 terminals input, VMD alarm <sup>8</sup> , Command alarm, Audio detection alarm, Auto track alarm
		Alarm Actions	SDXC/SDHC/SD memory recording, E-mail notification, HTTP alarm notification, Indication on browser, FTP image transfer, Panasonic protocol output
<b>Input/ Output</b>	Audio Input	ø3.5 mm stereo mini jack (stereo input) Input impedance: Approx. 2 kΩ (unbalanced) (Applicable microphone: Plug-in power type) Supply voltage: 4.0 V ±0.5 V	
	Audio Output <sup>9</sup>	ø3.5 mm stereo mini jack (stereo output) Output impedance : Approx. 600 Ω (unbalanced)	
	External I/O Terminals	ALARM IN 1 (Black & white input, Auto time adjustment input) (x1), ALARM IN 2 (ALARM OUT) (x1), ALARM IN 3 (AUX OUT) (x1)	
<b>General</b>	Power Source and Power Consumption	AC24 V(50 Hz/60 Hz), 2.7 A Approx. 43 W PoE+ (IEEE802.3at) DC 54 V 430 mA, Approx. 22 W(Class4 device)	
	Ambient Operating Temperature	-40 °C to +60 °C (-40 °F to +140 °F) (AC 24 V) -30 °C to +60 °C (-22 °F to +140 °F) (PoE+ device) (Power On range: -30 °C to +60 °C (-22 °F to +140 °F))	
	Ambient Operating Humidity	10 to 100 % (no condensation)	
	Water and Dust Resistance	IP66 (IEC60529), Type 4 (UL50), NEMA 4 compliant	
	Shock Resistance	IK10 (IEC62262)	
	Dimensions	Maximum ø229 mm × 393 (H) mm[ø9-1/32 inches × 15-1/32 inches (H)]	
	Mass (approx.)	Approx. 4.8 kg (10.58 lbs) (including attachment pipe: Approx. 200g [0.44 lbs])	
	Finish	Main body : Aluminum die cast, Natural silver Sunshields : ABS+PC resin coating, Natural silver Outer fixing screws : SUS (Corrosion-resistant treatment) Dome cover : Polycarbonate resin (with ClearSight coating (rain wash coating)), Clear	

<sup>5</sup> The area hidden by the camera housing may increase when the tilt angle of the camera is horizontal or larger.

<sup>6</sup> Transmission for 4 streams can be individually set.

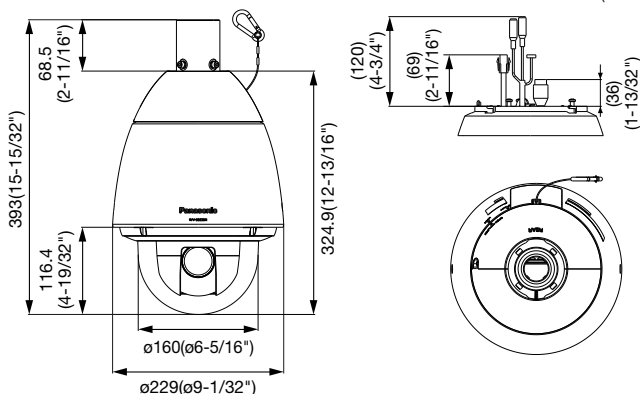
<sup>7</sup> Only use AAC-LC (Advanced Audio Coding - Low Complexity) when recording audio on an SD memory card.

<sup>8</sup> Including alarms from Plug-in Software

<sup>9</sup> The audio output can be switched to the monitor output. Refer to the Operating Instructions on the provided CD-ROM for descriptions of how to switch the output.

## Appearance

Unit : mm (inches)



### Trademarks and registered trademarks

- iPad and iPhone are registered trademarks of Apple Inc.


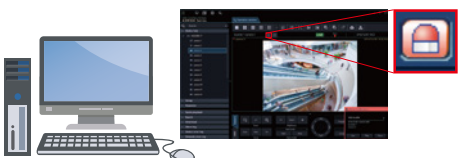


- Android is a trademark of Google Inc.

- ONVIF and the ONVIF logo are trademarks or registered trademarks of ONVIF Inc.

- All other trademarks identified herein are the property of their respective owners.

## Optional Accessories

\* This catalog is provided for all over the world. Some accessories may not be available in some countries.

<b>Ceiling Mount Bracket</b> <b>WV-Q121B</b> 	<b>Plug-in Software for i-VMD</b> <b>WV-SAE200</b> i-VMD is possible to detect objects in the specified area by advanced video analysis technology. i-VMD : Intruder Detection, Loitering Detection, Direction Detection, Scene Change Detection, Object Detection, Cross Line Detection 
<b>Wall Mount Bracket</b> <b>WV-Q122A</b> 	Notification sent to the monitoring screen 

### Important

- Safety Precaution : Carefully read the Important Information, Installation Guide and operating instructions before using this product.

- Panasonic cannot be responsible for the performance of the network and/or other manufacturers' products used on the network.

• Masses and dimensions are approximate. • Specifications are subject to change without notice.

DISTRIBUTED BY :

# Panasonic

<https://security.panasonic.com>

<https://www.facebook.com/PanasonicNetworkCamera>

(2A-195AA)