

# Tiandy



## TC-C34UP Spec: W/E/Y/M/4mm/V4.0

# 4MP Fixed Color Maker Bullet Camera

Lite Series



### KEY FEATURES

- Full Metal Housing
- Up to 2560x1440@25fps
- S+265/H.265/H.264
- Min. illumination Color: 0.0002Lux@F1.0
- 120dB WDR
- Support Realtime Brightness Function
- Surge Protection 4KV
- 4 Warmlights, 20~30m
- Support tripwire and perimeter
- Built-in Mic, SD Card Slot, Reset Button
- Operating Conditions -40°C~60°C, 0~95% RH
- POE, IP67
- CE, FCC



**Tiandy Technologies Co.,Ltd.**

Email: [sales@tiandy.com](mailto:sales@tiandy.com) Tel: +86-22-58596178  
Website: [en.tiandy.com](http://en.tiandy.com) Fax: +86-22-58596048



## SPECIFICATIONS

<b>Camera</b>	
Image Sensor	1/1.8" CMOS
Signal System	PAL/NTSC
Min. Illumination	Color:0.0002Lux@(F1.0,AGC ON),B/W:0Lux with LED on
Shutter Time	1s to 1/100,000s
Day & Night	Dual IR Cut Filter with Auto Switch
WDR	120dB
Angle Adjustment	Bracket,pan 0~360°,tilt 0~75°,roate 0~360°
<b>Lens</b>	
Lens Type	Fixed
Focus	4mm
Lens Mount	M12
Aperture	F1.0,Fixed
FOV	Horizontal field of view:92.1°; Vertical field of view:49°
<b>Illuminator</b>	
IR LEDs	N/A
IR Range	N/A
Wavelength	N/A
White LEDs/Warmlights	4
<b>Compression Standard</b>	
Video Compression	S+265/H.265/H.264
Video Bit Rate	32Kbps~6Mbps
Audio Compression	G.711A/G.711U/ADPCM_D_D
Audio Bit Rate	8K,32K,48Kbps
<b>Image</b>	
Max. Resolution	2560x1440
Main Stream	PAL:25fps(2560x1440,2304x1296,1920x1080,1280x720) NTSC:24fps(2560x1440),30fps(2304x1296,1920x1080,1280x720)
Sub Stream	PAL:25fps(704x576,704x288,640x360,352x288) NTSC:30fps(704x480,704x240,640x360,352x240)
Third Stream	N/A
Image Setting	Saturation,brightness,contrast,sharpness,adjustable by client software or web browser
Image Enhancement	BLC/3D DNR/HLC
ROI	N/A
OSD	16x16,32x32,48x48,64x64,adaptable size,Letters Such as Week,Date,Time,Total 1 Regions
Picture Overlay	N/A
Privacy Mask	Yes,4 regions
Smart Defog	Yes
<b>Feature</b>	
Alarm Trigger	Motion Detection,Mask Alarm,IP Address Conflict
Video Analytics	Tripwire,Perimeter
Early Warning(EW)	N/A
<b>Network</b>	
ANR	Yes(Only Support Tiandy ANR NVR)
Protocols	HTTP,TCP/IP,ICMP,FTP,DHCP,DNS,DDNS,RTP,RTSP,RTCP,NTP,UPnP,UDP
System Compatibility	ONVIF(PROFILE S/T/G),SDK,CGI,Milestone,P2P(Mutually exclusive with Profile G)
Remote Connection	2
Client	Easy7,EasyLive
Web Version	Web6

# Tiandy

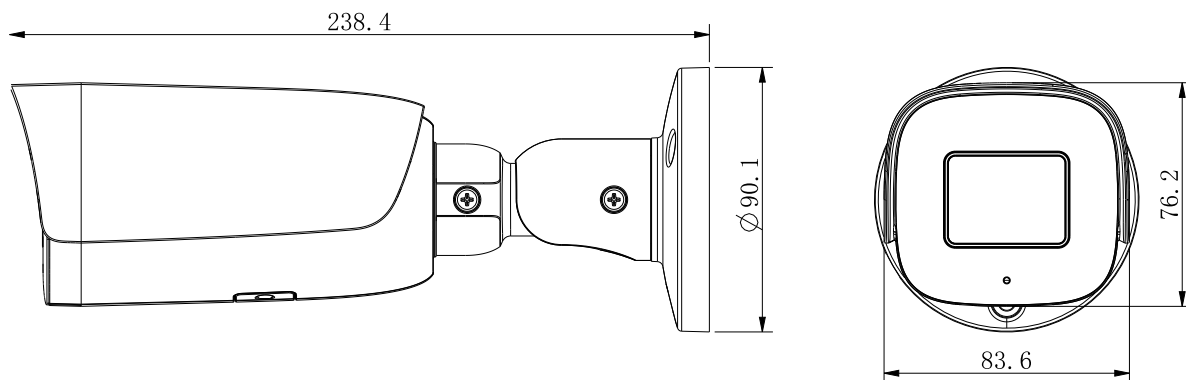
Interface	
Communication Interface	1 RJ45 10M/ 100M self adaptive Ethernet port
Audio I/O	Mic in
Alarm I/O	N/A
Speaker	N/A
Reset Button	Yes
On-board storage	Built-in MicroSD card slot, up to 512 GB
General	
Web Client Language	17 languages Chinese Simplified/English/Chinese Traditional/Spanish/Italian/Korean/Turkish/Russian/Thai Chinese/Polish/French/Dutch/Hebrew/Vietnamese/Arabic/German/Ukrainian
Operating Conditions	-35°C~60°C ,0~95% RH
Power Supply	DC 12V±25%,PoE(IEEE802.3af)
Power Consumption	MAX:8W(12V) MAX:8.5W(PoE)
Protection	IP67
Heater	N/A
Dimensions	239x90x90mm(9.41x3.54x3.54inch)
GrossWeight	1.3Kg(2.86lb)
NetWeight	0.9Kg(1.98lb)

\* Listed resolutions are only selectable options. It does not mean that all streams can work at their maximum resolution at the same time.

## AVAILABLE MODEL

## TC-C34UP SPEC: W/E/Y/M/4MM/V4.0

## DIMENSIONS



## ACCESSORIES



A35  
CORNER MOUNT



TC-P54BM SPEC: V5  
JUNCTION BOX

A36  
POLE MOUNT

DISTRIBUTED BY



**Tiandy Technologies Co.,Ltd.**

Email: [sales@tiandy.com](mailto:sales@tiandy.com)  
Website: [en.tiandy.com](http://en.tiandy.com)

Tel: +86-22-58596178  
Fax: +86-22-58596048