

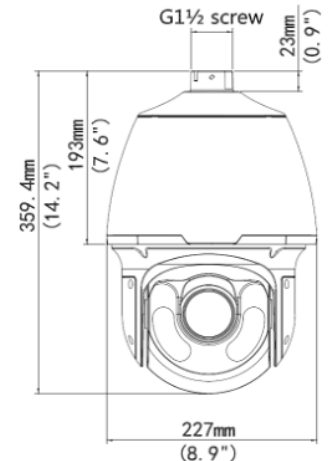
## Overview

- 2MP (1920 x 1080)
- True WDR 120dB
- 4.5mm to 148.5mm lens / 33x Optical Zoom
- IR up to 150m/492ft
- IP66 Rated



## Technical Specifications

Device	
Image Sensor:	1/2.8", 2.0 megapixel, progressive scan, CMOS
Min Illumination:	Color: 0.001 Lux (F1.5, AGC ON)   0 Lux with IR
Shutter Time:	Auto/Manual, 1 ~ 1/100000s
Lens:	4.5 ~ 148.5mm, AF Automatic Focusing And Motorized Zoom Lens
WDR:	120dB
Angle of View :	H: 56.2° ~ 2.6°, V: 33.5° ~ 1.4°, O: 65.4° ~ 3.0°
Angle Adjustment:	Pan: 360° (endless) Tilt:-15° ~ 90° (auto reverse)
3-Axis Adjustment :	—
Day & Night:	IR-cut filter with auto switch (ICR)
IR Range:	Up to 150m (492 ft) IR range
Compression Standard	
Video Compression:	Ultra 265, H.265, H.264, MJPEG
Video Bit Rate:	128 Kbps~16 Mbps
Multi-Stream:	Yes
Analytics:	Motion detection, Audio detection, Tampering Alarm Support false alarm filtering: Line crossing detection, Intrusion detection, Region entrance detection, Region exit detection;
Image	
Max. Image Resolution:	1920 x 1080
Frame Rate:	60fps (1920 x 1080)
ROI Codec:	Support
OSD	Up to 8 OSDs
Image Setting:	White Balance, Digital Noise Reduction, HLC, BLC, Defog



## Technical Specifications

Network		
Protocols:	IPv4, IGMP, ICMP, ARP, TCP, UDP, DHCP, PPPoE, RTP, RTSP, RTCP, DNS, DDNS, NTP, FTP, UPnP, HTTP, HTTPS, SMTP, 802.1x, SNMP, QoS, RTMP, SSL/TLS	
Interface		
Communication Interface:	1 * RJ45 10M/100M Base-TX Ethernet	
Local Storage:	Micro SD, up to 256GB	
Audio Compression:	G.711U,G.711A	
Built-in Mic	–	
General		
Operating Conditions:	Temperature: -40°C ~65°C (-40°F ~ 149°F), Humidity: ≤95% RH	
Power Consumption:	Max 48W	
Power Supply:	AC 24V±25%, DC 24V±25%, PoE (PSE Required)	
Weather Proof Rating:	IP66	
Vandal Resistant:	–	
Dimensions:	Ø227 x 359.4mm (Ø8.9" x 14.2")	
Weight:	5.3kg (11.68lb)	
Software:	Includes Video Insight VMS License	
Warranty:	4 Year Advanced Replacement	
Accessories		
M-PTZ Pendant	M-PTZ-JB	M-PTZ Pendant-EX-L
		
M-PTZ Pendant-EX-S	M-PTZ-CNR	M-CM
		
M-PTZ-PM	M-Parapet	M-PTZ-WM
		