

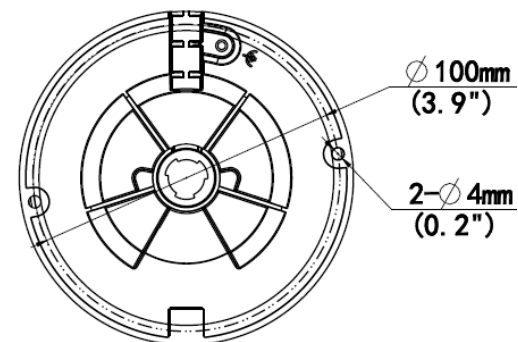
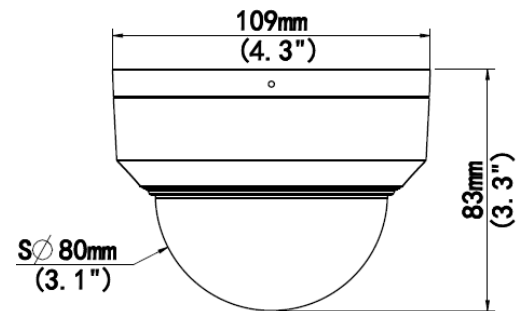
Overview

- 4MP IR
- True WDR 120dB
- 4mm Fixed lens
- H.265, H.264, MJPEG
- Support 9:16 Corridor Mode
- IP67, IK10
- Built-in Mic
- NDAA Compliant
- ONVIF Profile G, S, T








Technical Specifications

| Device | |
|------------------------|---|
| Image Sensor: | 1/2.7", 4.0 Megapixel, Progressive Scan, CMOS |
| Min Illumination: | Color: 0.003Lux (F1.6, AGC ON) 0Lux with IR on |
| Shutter Time: | Auto/Manual, 1 ~ 1/100000s |
| Lens: | 4mm@F1.6, Fixed-Focal |
| WDR: | 120dB |
| S/N | >56dB |
| Angle of View: | H: 112.9° V: 59.1° O: 121.2° |
| Angle Adjustment: | Pan: 8° ~ 360° Tilt: 0° ~ 68° Rotate: 10° ~ 360° |
| 3-Axis Adjustment: | Yes |
| Day & Night: | IR-Cut Filter with Auto Switch (ICR) |
| IR Range: | Up to 30m (98ft) IR range |
| Compression Standard | |
| Video Compression: | H.265, H.264, MJPEG |
| Video Bit Rate: | 128 Kbps~16 Mbps |
| Tri-Stream: | Yes |
| Analytics: | Crossline, Intrusion (Human Body Detection), Motion Detection, Tampering Alarm, Audio Detection |
| Image | |
| Max. Image Resolution: | 2688 x 1520 |
| Frame Rate: | 25fps (2688 x 1520) |
| ROI Codec: | Up to 8 Areas |
| Image Setting: | White Balance, Digital Noise Reduction, Smart IR, Flip, HLC, BLC |



Technical Specifications

| Network | | | | | |
|--------------------------|---|---|--|---------------|--------------|
| Protocols: | IPv4, IGMP, ICMP, ARP, TCP, UDP, DHCP, RTP, RTSP, RTCP, DNS, DDNS, NTP, FTP, UPnP, HTTP, HTTPS, SMTP, SSL | | | | |
| Interface | | | | | |
| Communication Interface: | 1 RJ45 10M/100M Base-TX Ethernet | | | | |
| Local Storage: | Micro SD, up to 256GB | | | | |
| Audio Compression: | G.711U, G.711A | | | | |
| DORI | | | | | |
| DORI Distance | Lens (mm) | Detect (m) | Observe (m) | Recognize (m) | Identify (m) |
| | 4.0 | 90.0 | 36.0 | 18.0 | 9.0 |
| General | | | | | |
| Safety | CE: EN 62368-1 UL: UL 62368-1 | | | | |
| EMC | FCC: FCC Part 15 CE-EMC: EN 55032/ EN 55035/ EN IEC 61000-3-2/ EN 61000-3-3 | | | | |
| Operating Conditions: | Temperature: -30°C ~ 60°C (-22°F ~ 140°F), Humidity: ≤95% RH (Non-Condensing) | | | | |
| Power Consumption: | Max 4.5W | | | | |
| Power Supply: | DC 12V±25%, PoE (IEEE 802.3af) | | | | |
| Weather Proof Rating: | IP67 | | | | |
| Vandal Resistant: | IK10 | | | | |
| Dimensions: | Φ109 x 83mm (Ø4.3" x 3.2") | | | | |
| Weight: | 0.36kg (0.79lb) | | | | |
| Software: | No license required for use with video Insight Software | | | | |
| Optional Accessories | | | | | |
| | M-JB-MINI  | M-WM-JB-MINI  | M-PM  | | |
| | M-Pendant-Ex  | M-Pendant  | | | |

© i-PRO Co., Ltd. All Rights Reserved. i-PRO, Viewnetcam.com, Advidia, VideoInsight, CloUDE, and Unified Digital Evidence are registered trademarks or trademarks of i-PRO Co., Ltd. or i-PRO Americas Inc. in various jurisdictions. All other trademarks are the property of their respective owners.