

WV-SUD638

Anti-severe weather PTZ network outdoor camera with wiper and defroster

Aero PTZ Network Camera

The AeroPTZ is an environmentally rugged camera designed to meet extreme weather conditions.



- 2MP (1080p) (1080p) 60fps, 30x zoom lens
- Built-in wiper and Auto defroster
- Wind load durability 60 m/s (135 mph) (operation), 80 m/s (180 mph) (non-destructive)
- Video SAS (Stability Augment System) for high-class image stabilization
- “Sphere vision” provides 360° 3D viewing
- Temperature -50 °C to +60 °C (-58 °F to +140 °F)
- IP67, IP66, IK10 certified
- Optional IR LED light
- Heavy salt damage resistance specifications (ISO 14993 compliant)
- Smart Coding mode for additional compression
- NDAA Compliant

Precautions for heavy salt damage resistance

SPECIFICATIONS

| Camera | |
|------------------------------|--|
| Image Sensor | Approx. 1/3 type MOS image sensor |
| Minimum Illumination | Color : 0.06 lx (F1.6, Maximum shutter : Off(1/30 s), AGC : High) 0.004 lx (F1.6, Maximum shutter : max. 16/30 s, AGC : High)* BW : 0.02 lx (F1.6, Maximum shutter : Off(1/30 s), AGC : High) 0.001 lx (F1.6, Maximum shutter : max. 16/30 s, AGC : High)* 0 lx (F1.6, Maximum shutter : Off(1/30 s), AGC : High, when the IR LED (Optional) is lit) * Converted value |
| Super Dynamic | Dynamic Range 105 dB typ. |
| Image Settings | Gain (AGC), White balance |
| Image Compression | Adaptive black stretch, Back light compensation (BLC), Fog compensation, High light compensation (HLC), Digital noise reduction |
| Shutter Speed | [2 mega pixel [16 : 9] (60 fps mode)] Off(1/60) to 1/10000 Other than [2 mega pixel [16 : 9] (60 fps mode)] Off(1/30) to 1/10000 |
| Day/Night (ICR) | Off / On / Auto1(Normal) / Auto2(IR Light) / Auto3(SCC) |
| IR LED Light (Optional) | Off / Auto (High / Mid / Low) irradiation distance : 150 m (500 feet) |
| Image Stabilization | On / Off *Hybrid image stabilizer |
| Privacy Zone | Gray / Mosaic / Off (up to 32 zones available) |
| Camera Title on Screen | Up to 20 characters (alphanumeric characters, marks) |
| Video Motion Detection (VMD) | On / Off, 4 areas available |
| Lens | |
| Zoom Ratio | 30x / 45x with HD extra optical zoom (at 1280 x 720) (Motorized zoom / Auto Focus) |
| Digital (Electronic) Zoom | x1, x2, x4 |
| Focal Length | 4.3 mm - 129 mm {3/16 inches - 5-3/32 inches} |
| Maximum Ratio Aperture | 1 : 1.6 (WIDE) - 1 : 4.7 (TELE) |
| Focus Range | 2.0 m - ∞ |
| Aperture Range | F1.6 (WIDE) - Close |
| Angular Field of View | [16 : 9 mode] Horizontal : 2.3° (TELE) - 64° (WIDE) Vertical : 1.3° (TELE) - 38° (WIDE) [4 : 3 mode] Horizontal : 1.8° (TELE) - 50° (WIDE) Vertical : 1.3° (TELE) - 38° (WIDE) |
| Pan/tilt unit | |
| Panning Range | 360° endless |
| Panning Speed | Manual : approx. 0.065°/s to 100°/s Preset : up to approx. 200°/s (Except when IR LED Unit is equipped, forward tilt mount, frozen.) |
| Tilting Range | Upright : -45° to +90° Forward tilt : -90° to +90° Hanging : -90° to +30° |

| | |
|------------------|--|
| Tilting Speed | Manual : approx. 0.065°/s to 100°/s Preset : up to approx. 200°/s (Except when IR LED Unit is equipped, forward tilt mount, frozen.) |
| Preset Positions | 256 positions |
| Auto Mode | Auto track / Auto pan / Preset sequence / 360 map-shot / Preset map-shot / Patrol |
| Self Return | 10 s to 60 min |
| Tilt Flip | On / Off |
| Map Shot | 360° map shot / preset map shot |

Network

| | |
|----------------------------------|--|
| Network IF | 10Base-T / 100Base-TX, RJ45 connector |
| Image Resolution | •2 mega pixel [16 : 9] (60 fps mode / 30 fps mode) H.264 : Maximum 1,920 x 1080 JPEG : Maximum 1,920 x 1080 •1.3 mega pixel [4 : 3] (30 fps mode) H.264 : Maximum 1,280 x 960 JPEG : Maximum 1,280 x 960 |
| Image Compression Method | H.264 Transmission Mode : Constant bit rate / Variable bit rate / Frame rate priority / Best effort / Advanced VBR Transmission type : Unicast / Multicast JPEG Image Quality : 10 steps Multiple streams individually configurable |
| Intelligent Compression | Smart coding, VIQS (ROI) |
| Audio Compression | G.726 (ADPCM) : 16 kbps / 32 kbps G.711 : 64 kbps AAC-LC : 64 kbps, AAC-LC(High quality) : 64 kbps / 96 kbps / 128 kbps |
| Protocol | IPv6 : TCP/IP, UDP/IP, HTTP, HTTPS, FTP, SMTP, DNS, NTP, SNMP, DHCPv6, RTP, MLD, ICMP, ARP, DiffServ IPv4 : TCP/IP, UDP/IP, HTTP, HTTPS, RTSP, RTP, RTCP, FTP, SMTP, DHCP, DNS, DDNS, NTP, SNMP, UPnP, IGMP, ICMP, ARP, DiffServ |
| Maximum Concurrent Access Number | Up to 14 users (Depends on network conditions) |
| Mobile Terminal Compatibility | iPad, iPhone, iPod touch (iOS 4.2.1 or later) Android™ mobile terminals |

Environment

| | |
|---------------------------|---|
| Water and Dust Resistance | Main body : IP66, IP67, IEC60529 measuring standard compatible, Type 4X(UL50), NEMA 4X compliant Waterproof RJ45 connector, Waterproof power connector, Waterproof I/O connector |
| Shock Resistance | Compliant with IK10 (IEC 62262) |
| Salt Damage Resistance | ISO14993 compliant |
| Resistance to Wind | Upright 216 km/h (135 mph) (Operation) / 288 km/h (180 mph) (non-destructive) Forward tilt 50 m (112 mph) (Operation) / 80 m (180 mph) (non-destructive) |

General

| | |
|--------------|--|
| Safety | UL (UL60950-1), c-UL (CSA C22.2 No.60950-1), CE, IEC60950-1 |
| EMC | FCC (Part15 ClassA), ICES003 ClassA, EN55032 ClassA, EN55035 |
| Power Source | AC100 to 240 V, 50 Hz / 60 Hz Tested PoE Injector* (60 W) *with limitations |

| | |
|------------------------|---|
| Operating Environment | <p>Ambient operating temperature :</p> <p>AC100 to 240 V : -50 °C to +60 °C {-58 °F to 140 °F} (Power On range : -30 °C to +60 °C {-22 °F to 140 °F})</p> <p>When using the tested PoE injector :</p> <p>-30 °C to +60 °C {-22 °F to 140 °F}</p> <p>When using the tested PoE injector and IR LED unit at the same time:</p> <p>-20 °C to +55 °C {-4 °F to 131 °F}</p> <p>*The upper limit value of ambient operating temperature indicates the use of WV-SUD638 (natural silver). In cases of products with other body colors, the upper limit value is +55 °C {131 °F}.</p> <p>*When WV-SUD6FRL1 (IR LED unit) is attached, the upper limit value of ambient operating temperature is +55 °C {131 °F}.</p> <p>Ambient operating humidity : 10 % to 100 %</p> |
| External I/O Terminals | <p>ALARM IN 1(DAY/NIGHT IN, Auto time adjustment), ALARM IN 2(ALARM OUT), ALARM IN 3(AUX OUT), Relay connection (x1 for each)</p> |
| Line Input | <p>ø3.5 mm monaural mini jack Input impedance : Approx. 2 kΩ (unbalanced)</p> <p>For line input Input level : Approx. -10 dBV</p> |
| Audio Output | <p>ø3.5 mm stereo mini jack (monaural output) Output impedance : Approx. 600 Ω (unbalanced) Using Amplifier built-in external speaker Output level : -20 dBV</p> |
| Dimensions | <p>220 mm (W) x 450 mm (H) x 266 mm (D) {8-21/32 inches (W) x 1ft 5-23/32 inches (H) x 10-15/32 inches (D)}</p> |
| Mass (Approx.) | <p>Approx. 8.5 kg {18.7 lbs}</p> |
| Finish | <p>Main body : Glass Fiber Reinforced Plastics WV-SUD638 : Natural Silver WV-SUD638-H : Gray (N7) WV-SUD638-T : Brown (Environmental color) Front glass : Glass, Clear</p> |

NOTES

Important

- Safety Precautions : Carefully read the Basic Information, Installation Guide and Operating Instructions before using this product.
- i-PRO Co., Ltd. cannot be held responsible for the performance of the network and/or other manufacturers' products used on the network.
- Masses and dimensions are approximate.
- Specifications are subject to change without notice.

Trademarks and registered trademarks

- iPad and iPhone are trademarks of Apple Inc., registered in the U.S. and other countries. - Android is a trademark of Google LLC.
- ONVIF is a trademark of ONVIF, Inc.
- All other trademarks identified herein are the property of their respective owners

©i-PRO Co., Ltd All rights reserved / November 2022

OPTIONAL ACCESSORIES

Select a compatible accessory

[Accessory Selector \(i-pro.com\)](http://i-pro.com).



WV-SUD6FRL1
Unit



WJ-PU201
60W Single Port Power
over Ethernet

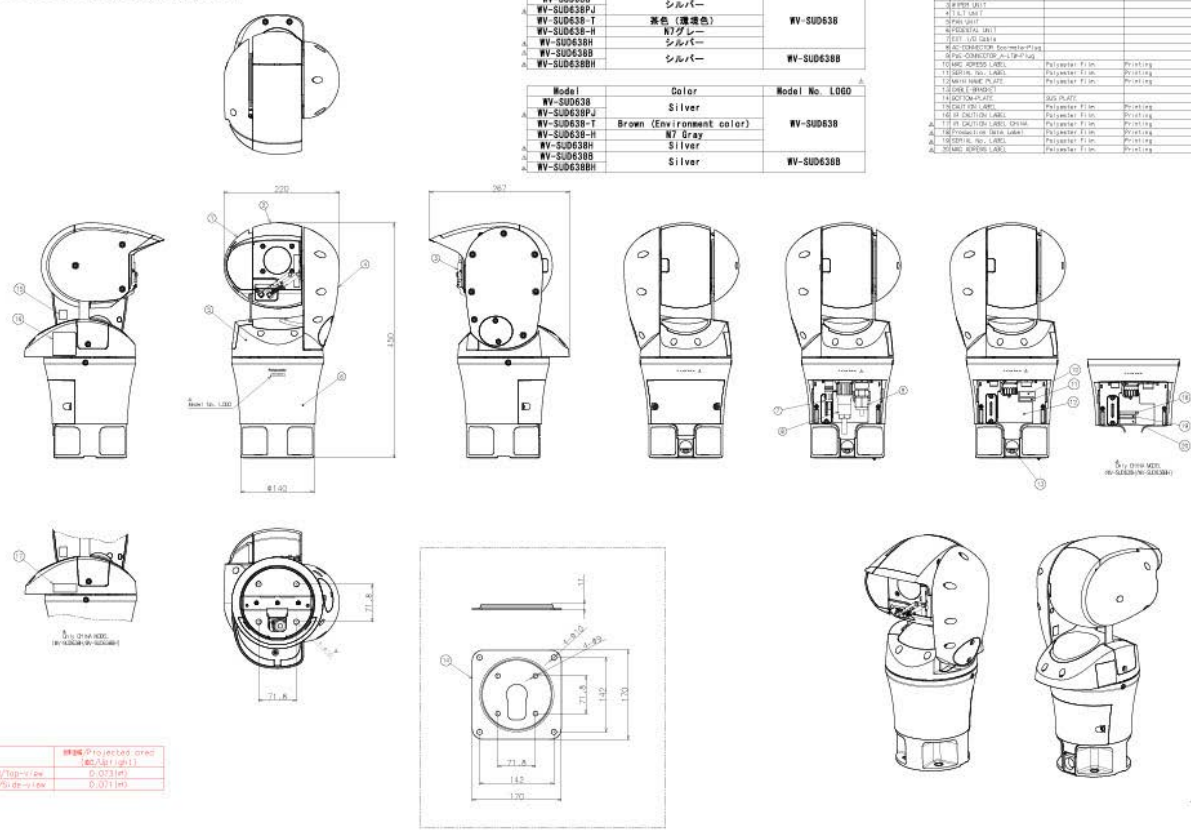
APPEARANCE

WV-SUD638 APPEARANCE

| 製品番号 | 製品色 | 品番ロゴ |
|-------------|----------|------------|
| WV-SUD638 | シルバー | WV-SUD638 |
| WV-SUD638PJ | シルバー | |
| WV-SUD638-T | 茶色 (環境色) | |
| WV-SUD638-H | N)グレー | |
| WV-SUD638H | シルバー | |
| WV-SUD638B | シルバー | WV-SUD638B |
| WV-SUD638BH | シルバー | |

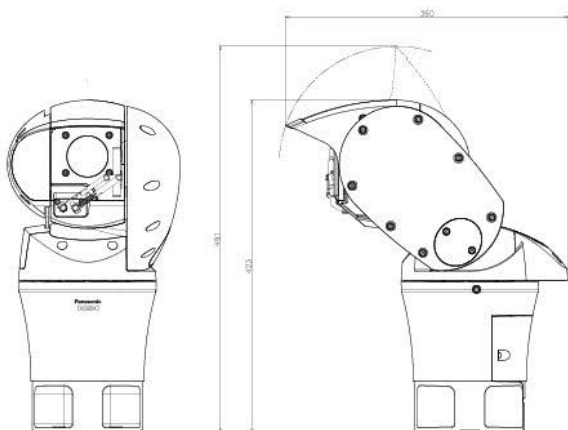
| Model | Color | Model No. LOGO |
|-------------|---------------------------|----------------|
| WV-SUD638 | Silver | WV-SUD638 |
| WV-SUD638PJ | Silver | |
| WV-SUD638-T | Brown (Environment color) | |
| WV-SUD638-H | NY Gray | |
| WV-SUD638H | Silver | |
| WV-SUD638B | Silver | WV-SUD638B |
| WV-SUD638BH | Silver | |

| No. | Part name | Material | Process/Finish |
|-----|----------------------------|----------|----------------|
| 1 | TOP COVER | | |
| 2 | CAMERA UNIT | | |
| 3 | DISPLAY UNIT | | |
| 4 | KEY UNIT | | |
| 5 | PHONE UNIT | | |
| 6 | PHONE UNIT UNIT | | |
| 7 | TOP COVER | | |
| 8 | PHONE CONNECTION (2P/2Pin) | | |
| 9 | PHONE CONNECTION (2P/2Pin) | | |
| 10 | PHONE CONNECTION (2P/2Pin) | | |
| 11 | PHONE CONNECTION (2P/2Pin) | | |
| 12 | PHONE CONNECTION (2P/2Pin) | | |
| 13 | PHONE CONNECTION (2P/2Pin) | | |
| 14 | PHONE CONNECTION (2P/2Pin) | | |
| 15 | PHONE CONNECTION (2P/2Pin) | | |
| 16 | PHONE CONNECTION (2P/2Pin) | | |
| 17 | PHONE CONNECTION (2P/2Pin) | | |
| 18 | PHONE CONNECTION (2P/2Pin) | | |
| 19 | PHONE CONNECTION (2P/2Pin) | | |
| 20 | PHONE CONNECTION (2P/2Pin) | | |
| 21 | PHONE CONNECTION (2P/2Pin) | | |
| 22 | PHONE CONNECTION (2P/2Pin) | | |
| 23 | PHONE CONNECTION (2P/2Pin) | | |
| 24 | PHONE CONNECTION (2P/2Pin) | | |
| 25 | PHONE CONNECTION (2P/2Pin) | | |
| 26 | PHONE CONNECTION (2P/2Pin) | | |
| 27 | PHONE CONNECTION (2P/2Pin) | | |
| 28 | PHONE CONNECTION (2P/2Pin) | | |
| 29 | PHONE CONNECTION (2P/2Pin) | | |
| 30 | PHONE CONNECTION (2P/2Pin) | | |
| 31 | PHONE CONNECTION (2P/2Pin) | | |
| 32 | PHONE CONNECTION (2P/2Pin) | | |
| 33 | PHONE CONNECTION (2P/2Pin) | | |
| 34 | PHONE CONNECTION (2P/2Pin) | | |
| 35 | PHONE CONNECTION (2P/2Pin) | | |
| 36 | PHONE CONNECTION (2P/2Pin) | | |
| 37 | PHONE CONNECTION (2P/2Pin) | | |
| 38 | PHONE CONNECTION (2P/2Pin) | | |
| 39 | PHONE CONNECTION (2P/2Pin) | | |
| 40 | PHONE CONNECTION (2P/2Pin) | | |
| 41 | PHONE CONNECTION (2P/2Pin) | | |
| 42 | PHONE CONNECTION (2P/2Pin) | | |
| 43 | PHONE CONNECTION (2P/2Pin) | | |
| 44 | PHONE CONNECTION (2P/2Pin) | | |
| 45 | PHONE CONNECTION (2P/2Pin) | | |
| 46 | PHONE CONNECTION (2P/2Pin) | | |
| 47 | PHONE CONNECTION (2P/2Pin) | | |
| 48 | PHONE CONNECTION (2P/2Pin) | | |
| 49 | PHONE CONNECTION (2P/2Pin) | | |
| 50 | PHONE CONNECTION (2P/2Pin) | | |
| 51 | PHONE CONNECTION (2P/2Pin) | | |
| 52 | PHONE CONNECTION (2P/2Pin) | | |
| 53 | PHONE CONNECTION (2P/2Pin) | | |
| 54 | PHONE CONNECTION (2P/2Pin) | | |
| 55 | PHONE CONNECTION (2P/2Pin) | | |
| 56 | PHONE CONNECTION (2P/2Pin) | | |
| 57 | PHONE CONNECTION (2P/2Pin) | | |
| 58 | PHONE CONNECTION (2P/2Pin) | | |
| 59 | PHONE CONNECTION (2P/2Pin) | | |
| 60 | PHONE CONNECTION (2P/2Pin) | | |
| 61 | PHONE CONNECTION (2P/2Pin) | | |
| 62 | PHONE CONNECTION (2P/2Pin) | | |
| 63 | PHONE CONNECTION (2P/2Pin) | | |
| 64 | PHONE CONNECTION (2P/2Pin) | | |
| 65 | PHONE CONNECTION (2P/2Pin) | | |
| 66 | PHONE CONNECTION (2P/2Pin) | | |
| 67 | PHONE CONNECTION (2P/2Pin) | | |
| 68 | PHONE CONNECTION (2P/2Pin) | | |
| 69 | PHONE CONNECTION (2P/2Pin) | | |
| 70 | PHONE CONNECTION (2P/2Pin) | | |
| 71 | PHONE CONNECTION (2P/2Pin) | | |
| 72 | PHONE CONNECTION (2P/2Pin) | | |
| 73 | PHONE CONNECTION (2P/2Pin) | | |
| 74 | PHONE CONNECTION (2P/2Pin) | | |
| 75 | PHONE CONNECTION (2P/2Pin) | | |
| 76 | PHONE CONNECTION (2P/2Pin) | | |
| 77 | PHONE CONNECTION (2P/2Pin) | | |
| 78 | PHONE CONNECTION (2P/2Pin) | | |
| 79 | PHONE CONNECTION (2P/2Pin) | | |
| 80 | PHONE CONNECTION (2P/2Pin) | | |
| 81 | PHONE CONNECTION (2P/2Pin) | | |
| 82 | PHONE CONNECTION (2P/2Pin) | | |
| 83 | PHONE CONNECTION (2P/2Pin) | | |
| 84 | PHONE CONNECTION (2P/2Pin) | | |
| 85 | PHONE CONNECTION (2P/2Pin) | | |
| 86 | PHONE CONNECTION (2P/2Pin) | | |
| 87 | PHONE CONNECTION (2P/2Pin) | | |
| 88 | PHONE CONNECTION (2P/2Pin) | | |
| 89 | PHONE CONNECTION (2P/2Pin) | | |
| 90 | PHONE CONNECTION (2P/2Pin) | | |
| 91 | PHONE CONNECTION (2P/2Pin) | | |
| 92 | PHONE CONNECTION (2P/2Pin) | | |
| 93 | PHONE CONNECTION (2P/2Pin) | | |
| 94 | PHONE CONNECTION (2P/2Pin) | | |
| 95 | PHONE CONNECTION (2P/2Pin) | | |
| 96 | PHONE CONNECTION (2P/2Pin) | | |
| 97 | PHONE CONNECTION (2P/2Pin) | | |
| 98 | PHONE CONNECTION (2P/2Pin) | | |
| 99 | PHONE CONNECTION (2P/2Pin) | | |
| 100 | PHONE CONNECTION (2P/2Pin) | | |



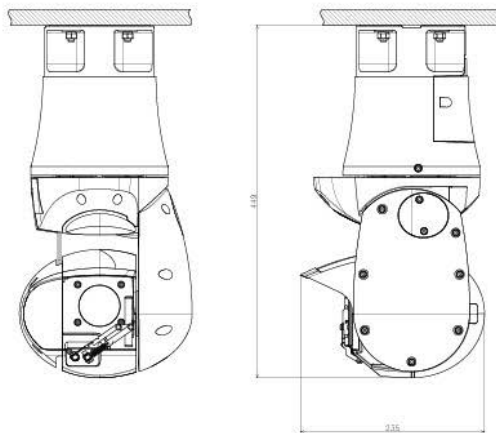
WV-SUD638 APPEARANCE

前视图



| | |
|------|------|
| 投影面积 | 投影面积 |
| 前视图 | 前视图 |
| 侧视图 | 侧视图 |

吊钩下视图



| | |
|-------|-------|
| 投影面积 | 投影面积 |
| 吊钩下视图 | 吊钩下视图 |
| 侧视图 | 侧视图 |